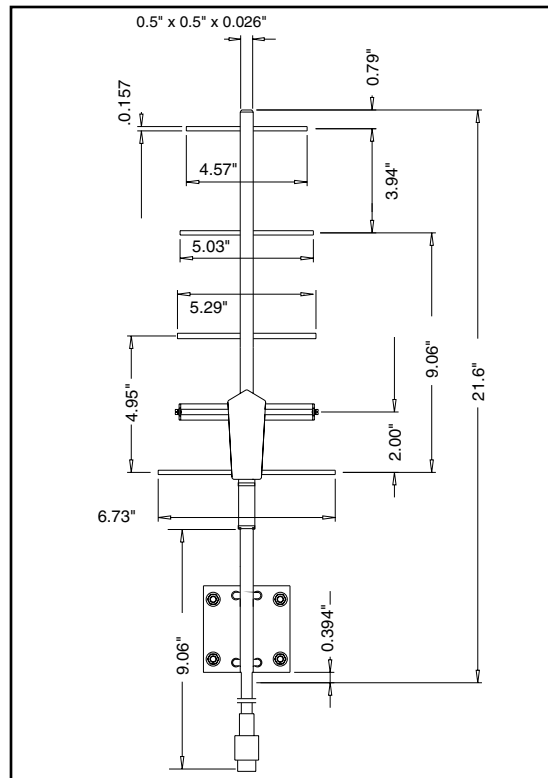
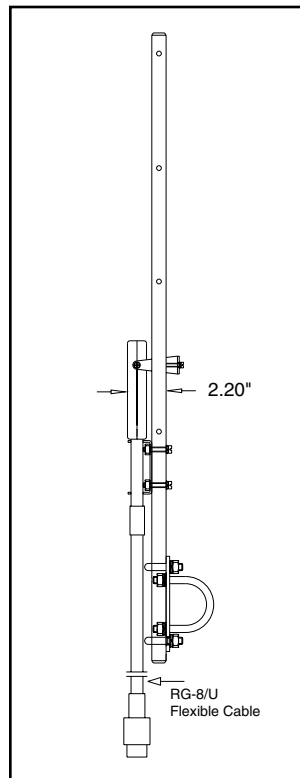


ANT-916-YG5-N Yagi Antenna Specifications

ITEM	SPECIFICATION
Model	ANT-916-YG5-N
Center Frequency	916MHz
Frequency Range	881-951MHz
Bandwidth	70MHz
Impedance	50Ω
Polarization	Vertical or Horizontal
VSWR	≤1.5
F/B Ratio	14dB
Gain	9dBi
Beamwidth	54°
Max. Power	100W
Weight	1.5 lbs.
Connector	N-Style (other connectors available for volume applications)
Element Material	Stainless Steel
Wind Velocity	60 m/s



Fits Maximum 2.1" Diameter Mast

For additional information, please contact Antenna Factor at 800-489-1634

Revised 8/21/01

Recipient understands any or all of the above specifications are subject to change without notice and proceeds with integration at own risk.